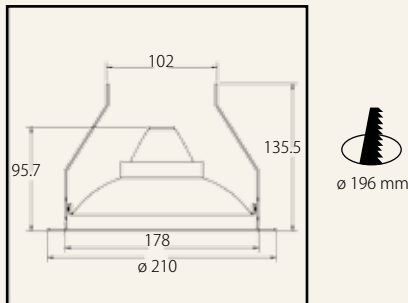


AU - 21



AU-21

Astra Ultimate 21

These round luminaires are the new generation of lighting fittings designed for the high output LED array. The efficiency of the AU luminaire is more than 95%.(vs. regular luminaires efficiency of 55 up to 60%.)

Specifications

- The **CRI (Color Rendering Index)** is up to 90%.
- This AU luminaires are equipped with the **Double α heat sink[®]** technology, with a life span of 25 years.
- The advanced reflector made of composite materials can be used for narrow beam 39 degree angles (for high ceilings) or wide 70 degree angles. This Astra technology gives perfect lighting uniformity.
- Plug and Play product.
- 110 lumens per watt, with high lighting uniformity.
- Cat 2 requirements.
- Virtual lighting source.
- IP 20 or IP 43.
- This innovative lighting fitting is produced according to the European norm EN 60598-2-2:1996/A1:1997 and is CE marked.
- The LED is made of Gallium Nitride on Silicon (GaN-on-Si) advanced material.
- Its voltage: 100-300 Volts /50-60 Hz.
- Competitive prices.

Available lighting color

| | |
|---------------|------------|
| Warm White | 2700-3500K |
| Natural White | 4000-4500K |
| Cool White | 5000-6000K |

Available beam angles

| | |
|-------------|-----|
| Narrow Beam | 39 |
| Normal Beam | 70 |
| Wide Beam | 120 |

*Replacement table

| | LED power | Traditional lamps |
|--------------|--------------------|---|
| AU 8 | 1 x 8W (8 Watts) | 2 x 13W (26 Watts) Fluorescent |
| AU 12 | 1 x 12W (12 Watts) | 2 x 26W (52 Watts) Fluorescent |
| AU 20 | 1 x 20W (20 Watts) | 2 x 32W (64 Watts) Fluorescent 1 x 70 Watts Metal halide |
| AU 25 | 1 x 25W (25 Watts) | 150 Watts Metal halide |

